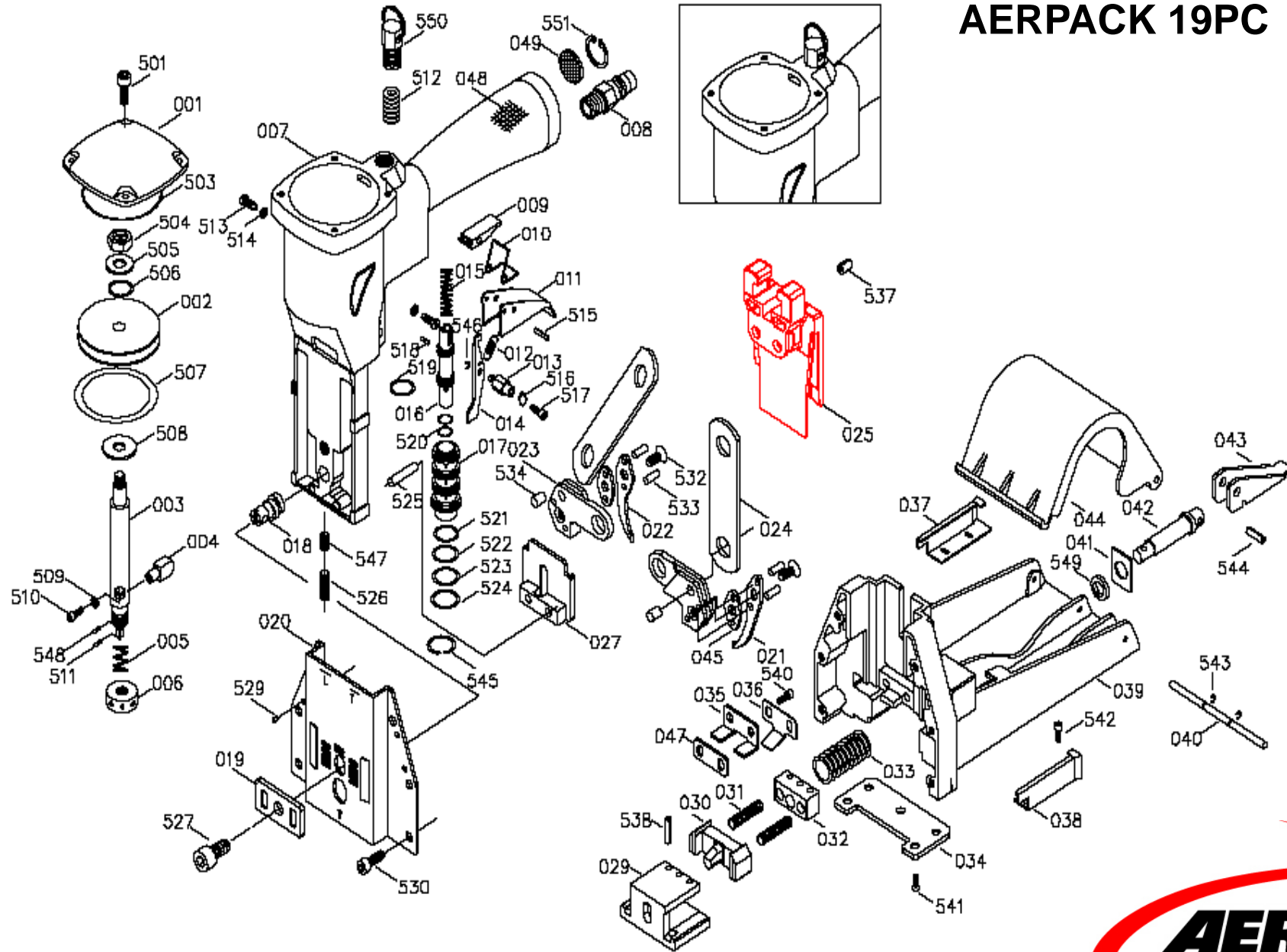


AERPACK 19PC



INDEX	PART NO	DESCRIPTION
001	A04600101	CAP
002	A02800201	PISTON
003	A02800301	PISTON ROD
004	A00100401	BLOCK
005	A00100501	SPRING
006	A00100601	COLLAR
007	PJKP31	BODY - (A04600201)
008-1	A00100801	AIR PLUG (JAPANESE TYPE)
008-2	A00100802	AIR PLUG (U.S.A. TYPE)
008-3	A00100803	AIR PLUG (EUROPEAN TYPE)
009	A00100902	BLOCK
010	A00101001	SPRING
011	A00101101-04	TRIGGER
012	A00101201	SPRING
013	A00101301	ROD
014	A00101402	TRIGGER'S CONTROL
015	A00101501	SPRING
016	A00101601	VALVE
017	A00101702	TUBE
018	A00101801	ADJUSTING ROD
019	A00101901	ADJUSTING PLATE
020-1	A01102501	FRONT PLATE :19mm
021-1	A00102102	RIGHT TEETH :19mm
022-1	A00102202	LEFT TEETH :19mm
023	A00102301	TEETH SEAT
024	A00102401	PLATE
025-2	A02301002	DRIVER (one piece)Iseries, T series
027-1	A02300101@	DRIVER GUIDE UNIT :I-CR (1.9mm),T SERIES
029-2	A02300401	ANVIL (I SERIES, T SERIES)
030-2	A02300502	PUSHER (I-CR SERIES,T SERIES)
031	A02201101	SPRING
032	A02200501	ANVIL CAP
033	A02201201	SPRING
034	A02200901	PLATE
035	A02201703	TOP GUIDE
036	A02201802	LEAF SPRING
037-3	A02400602	RIGHT COIL GUIDE (T SERIES)
038-3	A02400702	LEFT COIL GUIDE (T SERIES)
039-1	A02200105	MAGAZINE SEAT
040	A02201301	SHAFT
042	A02200801	SHAFT
043	A02201001	LEVER
044	A02201401	COVER
045	A02300801	PLATE
047	A02202401	WASHER
048	A04601401	HANDLE GLEEVE
049	BAI1401	SILENCER
501	BAC0604142	HEX.SOC.HD.BOLT (M4 x 0.7-14)

INDEX	PART NO	DESCRIPTION
503	BAB017537	O-RING (ϕ 1.78 x ϕ 53.7)
504	BAD02061	HEX.NUT (M6 x 1)
505	BAE06094	WASHER (1/4" x 5/8" x 1T)
506	BAB017076	O-RING(ϕ 1.78 x ϕ 7.65)
507	BAB057476	O-RING (ϕ 5.7 x ϕ 47.6)
508	A00104101	WASHER (ϕ 8 x ϕ 23 x 1.6T)
509	BAE01042	SPRING WASHER (M4)
510	BAC0404062	HEX.SOC.HD.BOLT (M4 x 0.7-6)
511	BAA025014	SPRING PIN (ϕ 2.5-14)
512	BAC0312122	HEX.SOC.HDLESS.BOLT (M12 x 1.75-12)
513	A00104401	TRIGGER SCREW (M4 x 0.7-7)
514	BAE01042	SPRING WASHER (M4)
515	BAA030020	SPRING PIN (ϕ 3-20)
516	BAE02042	OUTSIDE TEETH WASHER (M4)
517	BAC0404102	HEX.SOC.HD.BOLT (M4 x 0.7-10)
518	BAA030010	SPRING PIN (ϕ 3-10)
519	BAB017124	O-RING (ϕ 1.78 x ϕ 12.42)
520	BAB017076	O-RING (ϕ 1.78 x ϕ 7.65)
521	BAB016145	O-RING (ϕ 1.6 x ϕ 14.5)
522	BAB016150	O-RING (ϕ 1.6 x ϕ 15)
523	BAB016155	O-RING (ϕ 1.6 x ϕ 15.5)
524	BAB016160	O-RING (ϕ 1.6 x ϕ 16)
525	A00104701	ROD (ϕ 4.9-17.5)
526	BAC0306142	HEX.SOC.HDLESS.BOLT (M6 x 1-14)
527	BAC0608162	HEX.SOC.HD.BOLT (M8 x 1.25-16)
529	BAA030010	SPRING PIN (ϕ 3-10)
530	BAC0605142	HEX.SOC.HD.BOLT (M5 x 0.8-14)
532-1	BAC0205122	HEX.SOC.FLAT COUNTER SNK HD.SCREW (M5 x 0.8-12)
532-2	BAC0205142	HEX.SOC.FLAT COUNTER SNK HD.SCREW (M5 x 0.8-14 S SERIES)
533	A00104501	PIN (ϕ 3.98-13)
534	A00104602	PIN (ϕ 6.05-8)
537	BAA060016-R	SPRING PIN (ϕ 6-18)
538	BAA040022	SPRING PIN (ϕ 4-22)
540	BAC0605122	HEX.SOC.HD BOLT (M5 x 0.8-12)
541	BAC0205082	HEX.SOC.FLAT COUNTER SNK HD.SCREW (M5 x 0.8-8)
542	BAC0703063	ROUND HD.SCREW (M3 x 0.5-6)
543	BAF10252	E-RING (ϕ 2.5)
544	BAA040020	SPRING PIN (ϕ 4-20)
545	BAF22002	C-RING (ϕ 20)
546	BAF10252	E-RING (ϕ 2.5)
547	BAG010602	HELI-COIL (M6 x 1.0-2D)
548	A00104901	PLASTIC PIN
549	BAE03102	WAVE WASHER (ϕ 10)
550	C0011201@	COUNTER BALANCE HANGER
551	BAF22002	C-RING (ϕ 20)