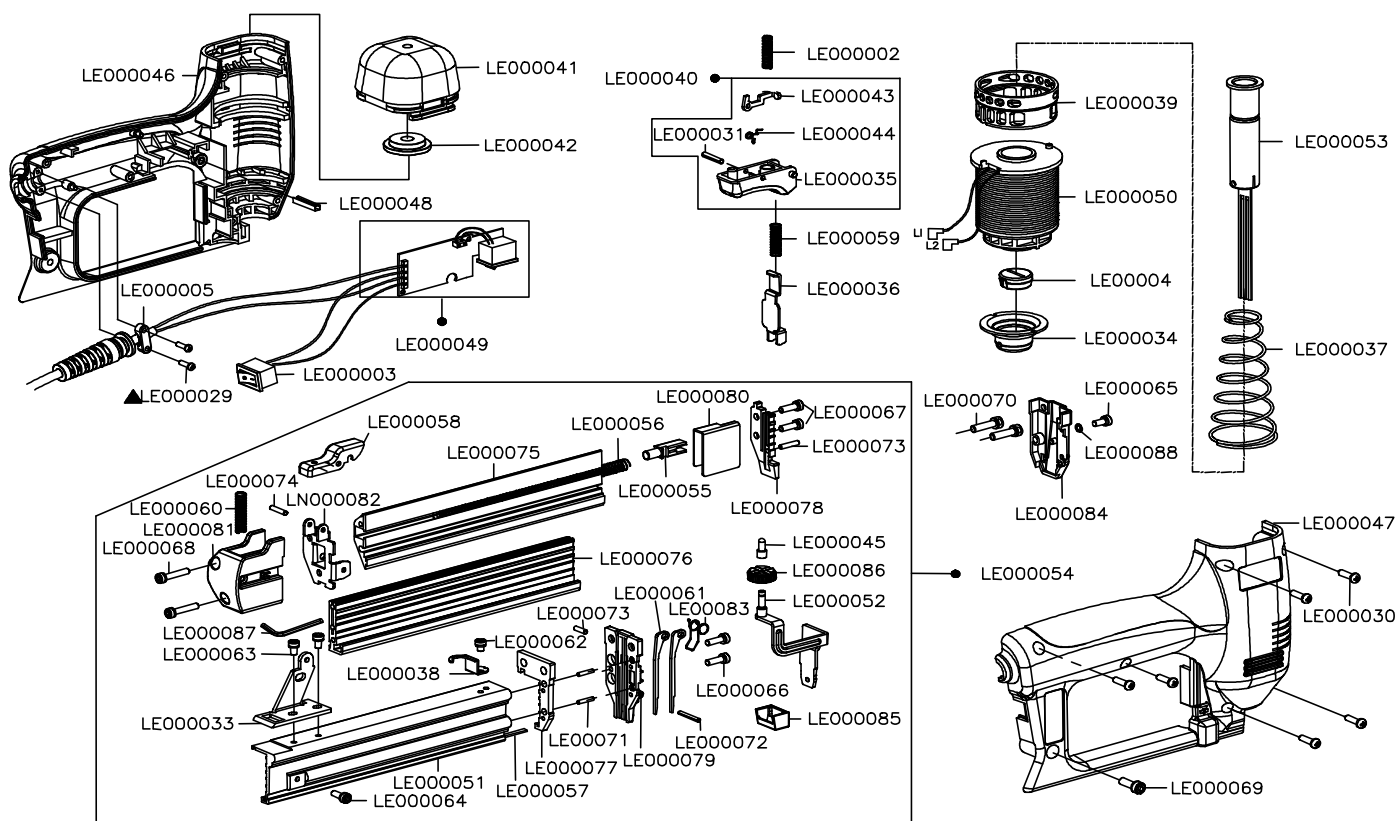


LNS3215e ELECTRIC NAILER/STAPLER



Part_No	Description	Q'ty	Part_No	Description	Q'ty	Part_No	Description	Q'ty
LE000002	SPRING	1	LE000050	COIL ASSY.	1	LE000069	HEX.SOC.HD.BOLT	1
LE000003	POWER SWITCH ASSY.	1	LE000051	MAGAZINE RAIL	1	LE000070	HEX.SOC.HD.BOLT	2
LE000033	SUPPORT	1	LE000052	SAFETY	1	LE000071	SPRING PIN	2
LE000034	BUMPER COVER	1	LE000053	DRIVER ASSY.	1	LE000072	SPRING PIN	1
LE000004	BUMPER	1	LE000054	MAGAZINE ASSY.	1	LE000073	SPRING PIN	2
LE000035	TRIGGER	1	LE000055	PUSHER PIN	1	LE000074	SPRING PIN	1
LE000036	SAFETY(B)	1	LE000056	PUSHER SPRING	1	LE000031	SPRING PIN	1
LE000037	SPRING	1	LE000057	BAR	1	LE000075	MAGAZINE CAP	1
LE000038	FIXED PLATE	1	LE000058	LATCH	1	LE000076	MAGAZINE CAP	1
LE000039	COLLAR	1	LE000059	SAFETY SPRING	1	LE000077	GUIDE PLATE	1
LE000040	CONTACT ASSY.	1	LE000060	LATCH SPRING	1	LE000078	FRONT PLATE	1
LE000041	CYLINDER CAP	1	LE000061	GUIDE PALTE	2	LE000079	COVER PLATE	1
LE000042	BUFFER	1	?LE000029	SCREW	2	LE000080	PUSHER	1
LE000043	CONTACT LEVER	1	LE000030	SCREW	6	LE000081	CPVER	1
LE000044	SPRING	1	LE000062	HEX.SOC.HD.BOLT	1	LN000082	STOP PALTE	1
LE000045	FIXED	1	LE000063	HEX.SOC.HD.BOLT	2	LE000083	SPRING	1
LE000005	FIXTURE	1	LE000064	HEX.SOC.HD.BOLT	1	LE000084	TRIP COVER	1
LE000046	FRONT BODY	1	LE000065	HEX.SOC.HD.BOLT	1	LE000085	PLATE	1
LE000047	REAR BODY	1	LE000066	HEX.SOC.HD.BOLT	2	LE000086	ADJUSTING ROLL	1
LE000048	STOPPER	1	LE000067	HEX.SOC.HD.BOLT	2	LE000087	HEX BAR WRENCH	1
LE000049	PCB ASSY.	1	LE000068	HEX.SOC.HD.BOLT	2	LE000088	SPRING WASHER	1