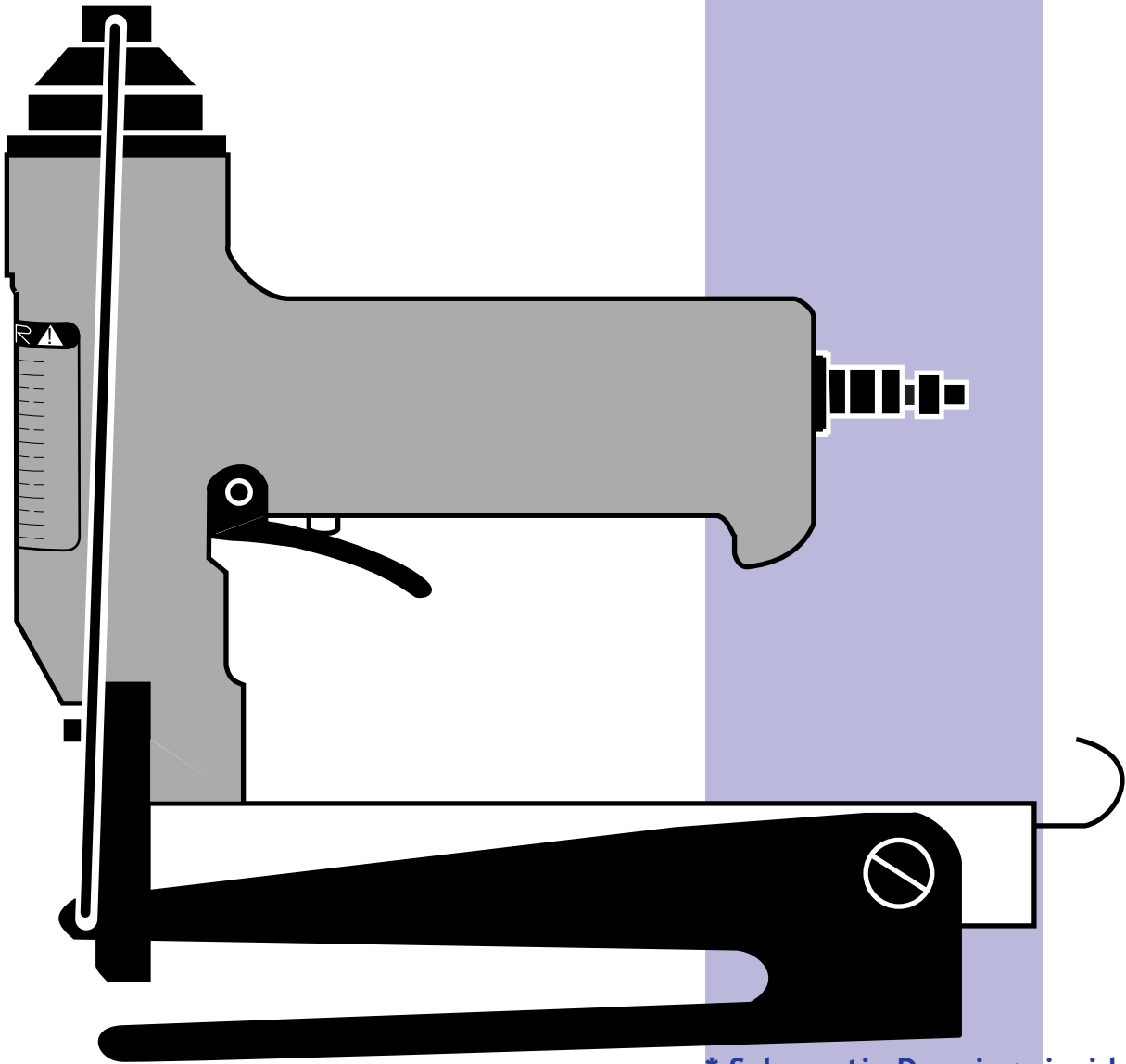


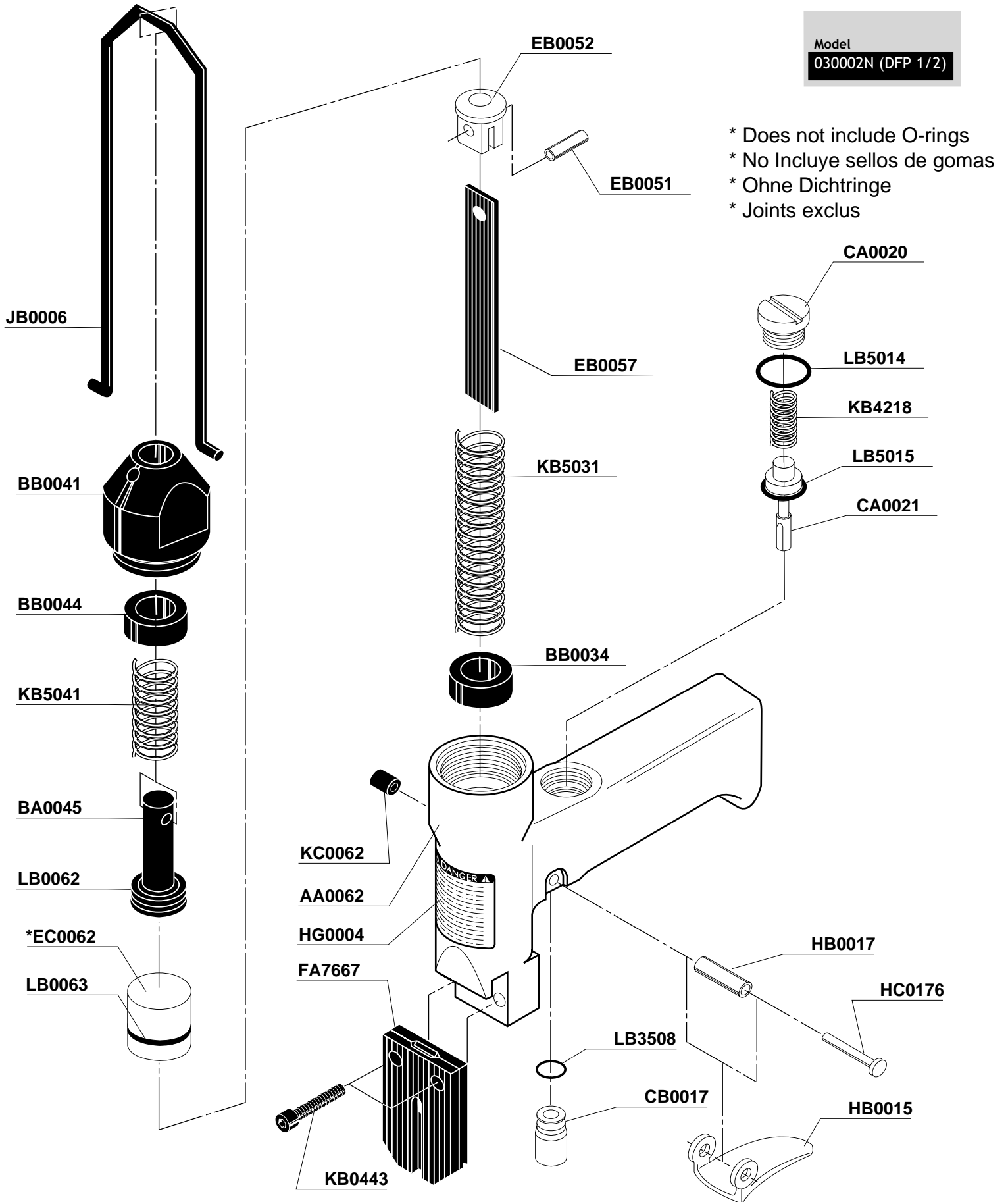


Parts Reference Guide

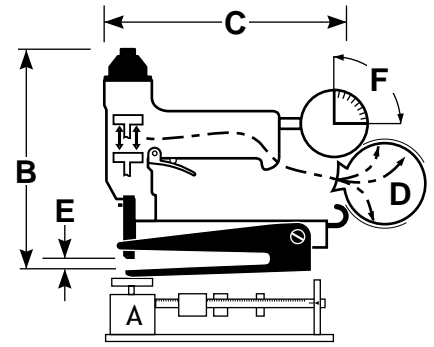
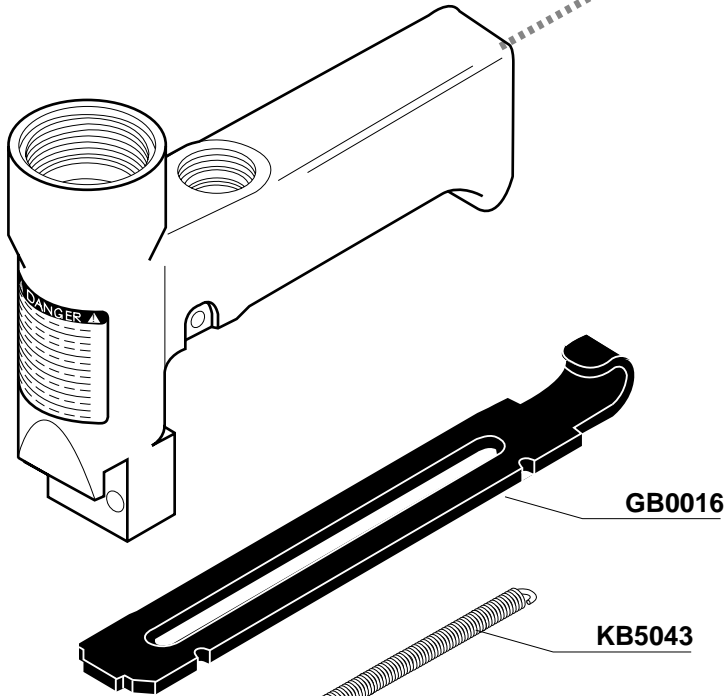


* Schematic Drawings inside

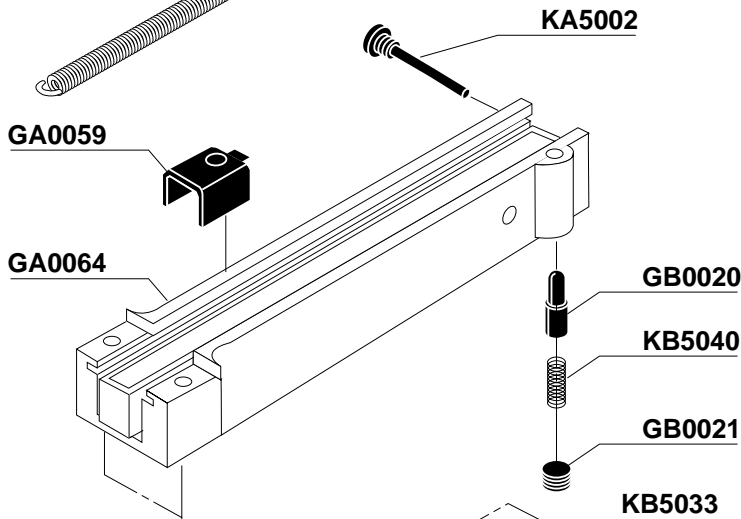
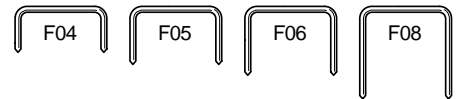
Model
030002N (DFP 1/2)



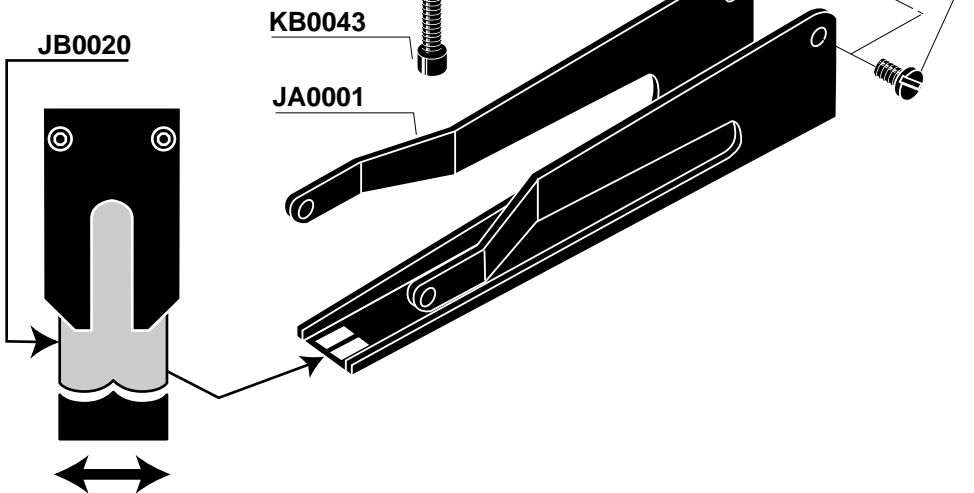
- * Does not include O-rings
- * No Incluye sellos de gomas
- * Ohne Dichtringe
- * Joints exclus



A	2.71 lbs.	1.2 kg
B	7 3/4 in.	197mm
C	8 in.	203mm
D	1.61 cu. in.	26.4cm ³
E	1/2 in.	13mm
F	70-90 P.S.I.G.	4.8-6 bar
T	112	112



H	1/2 in.	13mm
J	.050 in.	1.27mm
K	.019 in.	048mm
L	1/4 in. - 1/2 in.	6mm - 13mm



Available Plugs
(Not Included with Tool)

	PC0479 ✓
Ind. Interchange 1/4" MPT	
	PC0486
Ind. Interchange 1/4" MPT	
	PC0468 ✓
Tru-Flate 1/4" MPT	
	PC0474
Tru-Flate 1/4" MPT	

✓ **Recommended Plugs**
Plugs shown smaller than actual size



REPLACEMENT PARTS LIST • LISTA DE PARTES DE REPUESTO • ERSATZTEILE-LISTE • LISTE DE PIÈCES DE RECHANGE

PART NO.	DESCRIPTION	DESCRIPCIÓN	BESCHREIBUNG	DÉSIGNATION
AA0062	MAIN BODY	CARCASA	GEHÄUSE	CORPS
BA0045	PISTON ASSEMBLY	ASAMBLE DE PISTON	KOLBEN-ZUSAMMENBAU	ENSEMBLE PISTON-COUTEAU
BB0034	STOP	TOPE	PUFFER	ARRÊT
BB0041	CAP	TAPA	KAPPE	BOUCHON
BB0044	STOP	TOPE	PUFFER	ARRÊT
CA0020	VALVE ASSEMBLY	ASAMBLE DE VÁLVULA	VENTIL-ZUSAMMENBAU	VALVE D'ASSEMBLEE
CA0021	VALVE ASSEMBLY	ASAMBLE DE VÁLVULA	VENTIL-ZUSAMMENBAU	VALVE D'ASSEMBLEE
CB0017	VALVE	VÁLVULA	VENTIL	VALVE
EB0051	PIN	PASADOR	STIFT	GOUPILLE
EB0052	RETAINER	JUNTA TÓRICA	SICHERUNGSRING	RETENUE
EB0057	DRIVER (DFP)	PERCUSOR	TREIBER	COUTEAU
EC0062	PISTON	PISTON	KOLBEN	PISTON
FA7667	GUIDE BODY	PLACA DE NARIZ	NAGELFÜHRUNG	FRONT
GA0059	FEEDER SHOE	ALIMENTADOR	NAGELSCHIEBER	POUSSOIR
GA0064	MAGAZINE	CARGADOR	MAGAZIN	MAGASIN
GB0016	DOOR	PUERTA	ABDECKSCHIEBER	PORTE
GB0020	LOCK	CERRADURA	SICHERUNG	BLOCAGE
GB0021	RETAINER	JUNTA TÓRICA	SICHERUNGSRING	RETENUE
HB0015	TRIGGER	GATILLO	AUSLÖSER	GÂCHETTE
HB0017	BUSHING	CASQUILLO	HÜLSE	DOUILLE
HB0176	PIN	PASADOR	STIFT	GOUPILLE
HG0004	LABEL	ETIQUETA	AUFKLEBER	ÉTIQUETTE
	(SAFETY PRECAUTIONS)	(NORMAS DE SEGURIDAD)	(SICHERHEITSHINWEISE)	(PRÉCAUTIONS DE SÉCURITÉ)
JA0001	ANVIL ASSEMBLY	ASAMBLE DE YUNQUE	MATRIZE-ZUSAMMENBAU	ENCLUME D'ASSEMBLEE
JB0006	YOKE	HORQUILLA	BÜGEL	ÉTRIER
JB0020	ANVIL GAGE	MEDIDA	MESSEN	MESURE
KA5002	RETAINER	JUNTA TÓRICA	SICHERUNGSRING	RETENUE
KB0043	SCREW	TORNILLO	SCHRAUBE	VIS
KB0443	SCREW	TORNILLO	SCHRAUBE	VIS
KB4218	SPRING	RESORTE	FEDER	RESSORT
KB5031	SPRING	RESORTE	FEDER	RESSORT
KB5033	SCREW	TORNILLO	SCHRAUBE	VIS
KB5040	SPRING	RESORTE	FEDER	RESSORT
KB5041	SPRING	RESORTE	FEDER	RESSORT
KB5043	SPRING	RESORTE	FEDER	RESSORT
KC0062	RETAINER	JUNTA TÓRICA	SICHERUNGSRING	RETENUE
LB0062	SEAL	SELLO	DICHTUNG	JOINT
LB0063	SEAL	SELLO	DICHTUNG	JOINT
LB3508	SEAL	SELLO	DICHTUNG	JOINT
LB5014	SEAL	SELLO	DICHTUNG	JOINT
LB5015	SEAL	SELLO	DICHTUNG	JOINT