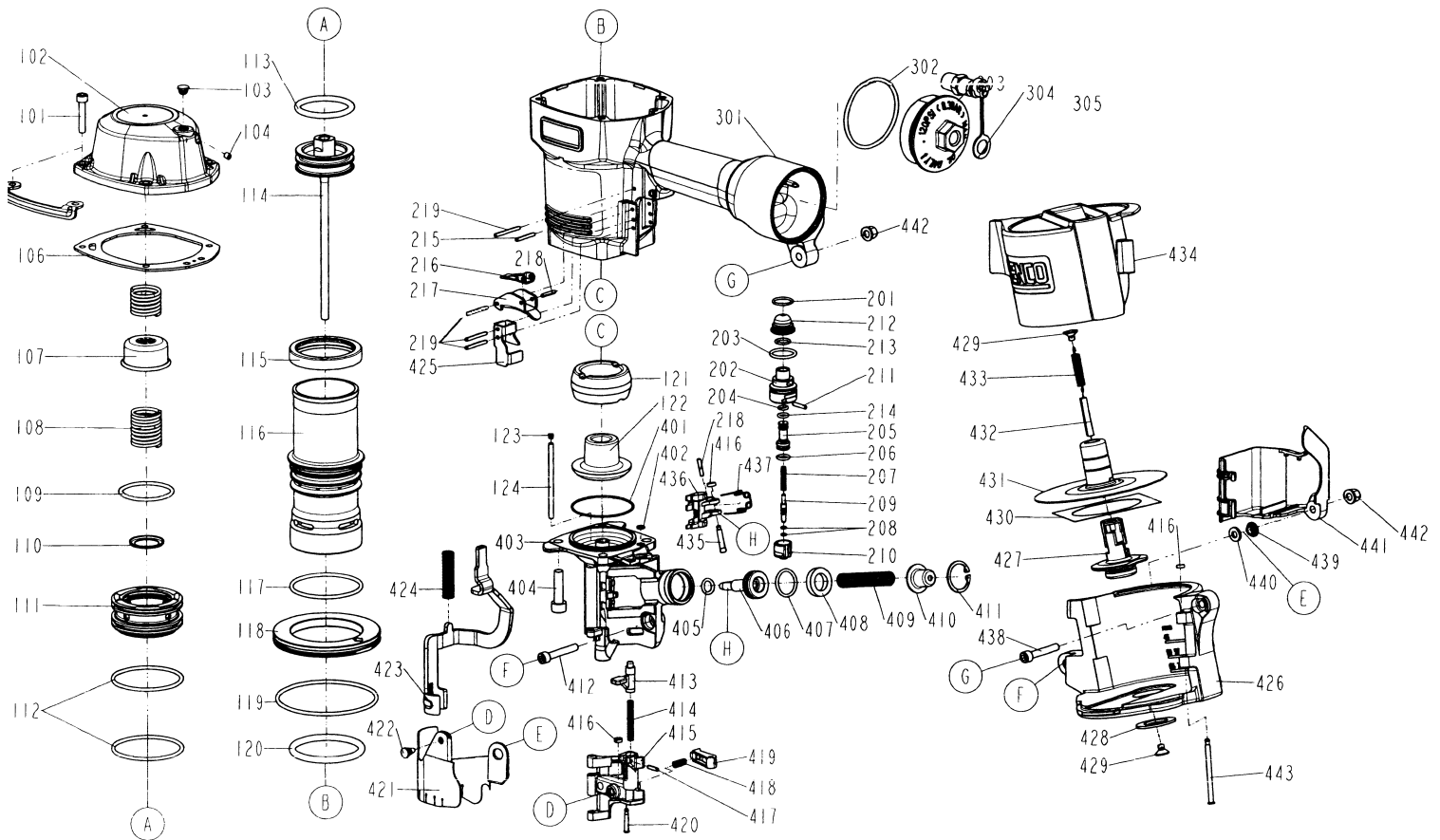


# DIAGRAM OF PAL 70



ITEM NO.	PART NO.	DESCRIPTION	ITEM NO.	PART NO.	DESCRIPTION	ITEM NO.	PART NO.	DESCRIPTION
101	SBC00237	HEX.SOC.HD.BOLT	210	SBC00158	TRIGGER VALVE HEAD	421	SBC00232	MUZZLE PROTECTOR
102	SBC00227	CAP	211	SBC00124	PIN	422	SBC00132	DUST SHIELD PLUG
103	SBC00218	GROMMET	212	SBC00162	COVER-PLUNGER	423	SBC00206-2	SAFETY
104	SBC00059	HEX.SOC.HD.SCREW	213	SBC00190	O - RING	424	SBC00207	SAFETY SPRING
105	SBC00235	GUIDE COVER	214	SBC00181	O - RING	425	SBC00208	SAFETY GUIDE
106	SBC00200	CYLINDER CAP SEAL	215	SBC00178	SPRING PIN	426	SBC00212	MAGAZINE CASE
107	SBC00229	SEAL	216	SBC00118	SECONDARY TRIGGER	427	SBC00215	MAGAEING POST
108	SBC00220-3	COMPRESSION SPRING	217	SBC00117	TRIGGER	428	SBC00234	RUBBER RING
109	SBC00248	O - RING	218	SBC00065	SPRING PIN	429	SBC00133	SPRING BASE
110	SBC00230	WASHER	219	SBC00242	SPRING PIN	430	SBC00233	RUBBER PLATE
111	SBC00226	HD.VALVE PISTON	301	SBC00199-2	GUN BODY UNIT	431	SBC00214	SPACER
112	SBC00250	O - RING	302	SBC00245	O - RING	432	SBC00168	SPACER
113	SBC00247	O - RING	303	SBC00209	END CAP	433	SBC00123	PULL SPRING
114	SBC00197-2	DRIVER UNIT	401	SBC00251	O - RING	434	SBC00213-2	MAGAZINE COVER
115	SBC00236	COLLAR	402	SBC00193	O - RING	435	SBC00149	PIN FEED PISTON
116	SBC00202	CYLINDER	403	SBC00231	NOSE PIECE	436	SBC00201	FEED FINGER
117	SBC00249	O - RING	404	SBC00240-2	HEX.SOC.HD.BOLT	437	SBC00114	FEED FINGER SPRING
118	SBC00203	CYLINDER SPACER	405	SBC00243	O - RING	438	SBC00238	HEX.SOC.HD.BOLT
119	SBC00246	O - RING	406	SBC00223	FEED PISTON	439	SBC00144	PROTECTOR WASHER
120	SBC00244	O - RING	407	SBC00184	O - RING	440	SBC00176	FLAT WASHER
121	SBC00204	BUMPER-A	408	SBC00211	FEED BUMPER	441	SBC00210	SPRING COVER
122	SBC00205	BUMPER-B	409	SBC00225	PUSHER SPRING	442	SBC00180	BOLT CAP
123	SBC00219	GROMMET A	410	SBC00224	FEED PISTON CAP	443	SBC00228	MAGAZINE SHAFT PIN
124	SBC00222	DOOR SHAFT PIN	411	SBC00177	C - RING			
201	SBC00189	O - RING	412	SBC00239	HEX.SOC.HD.BOLT			
202	SBC00159	PLUNGER CAP	413	SBC00115	DOOR LATCH			
203	SBC00183	O - RING	414	SBC00116	LATCH SPRING			
204	SBC00070	O - RING	415	SBC00221	DOOR			
205	SBC00130	VALVE PLUNGER	416	SBC00143	PU RETAINER			
206	SBC00069	O - RING	417	SBC00064	SPRING PIN			
207	SBC00161	SPRING	418	SBC00129	STOPPER FINGER SPRING			
208	SBC00194	O - RING	419	SBC00216	NAIL STOP			
209	SBC00160	PLUNGER	420	SBC00217	PIN-NAIL STOP			