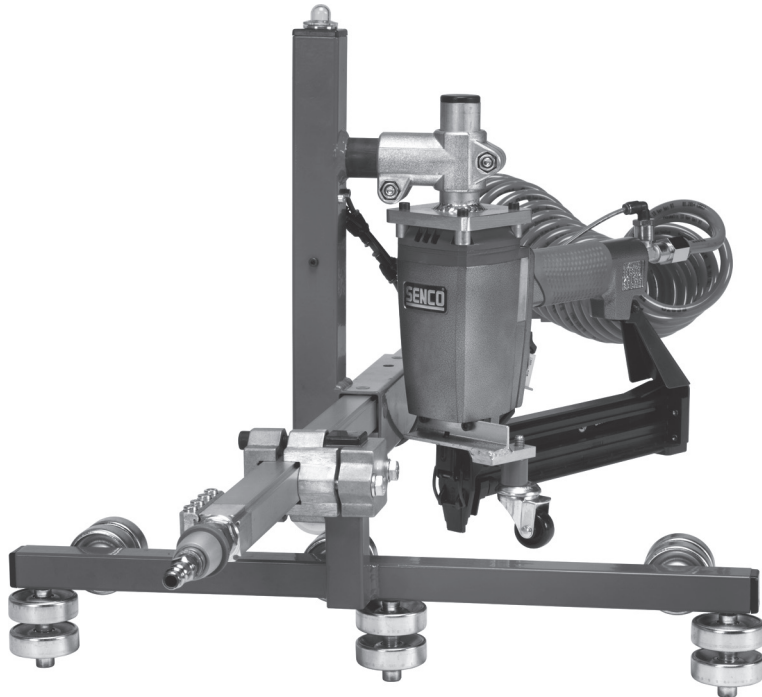


Board Fixer

Parts Reference Guide



Schematic Drawings Inside

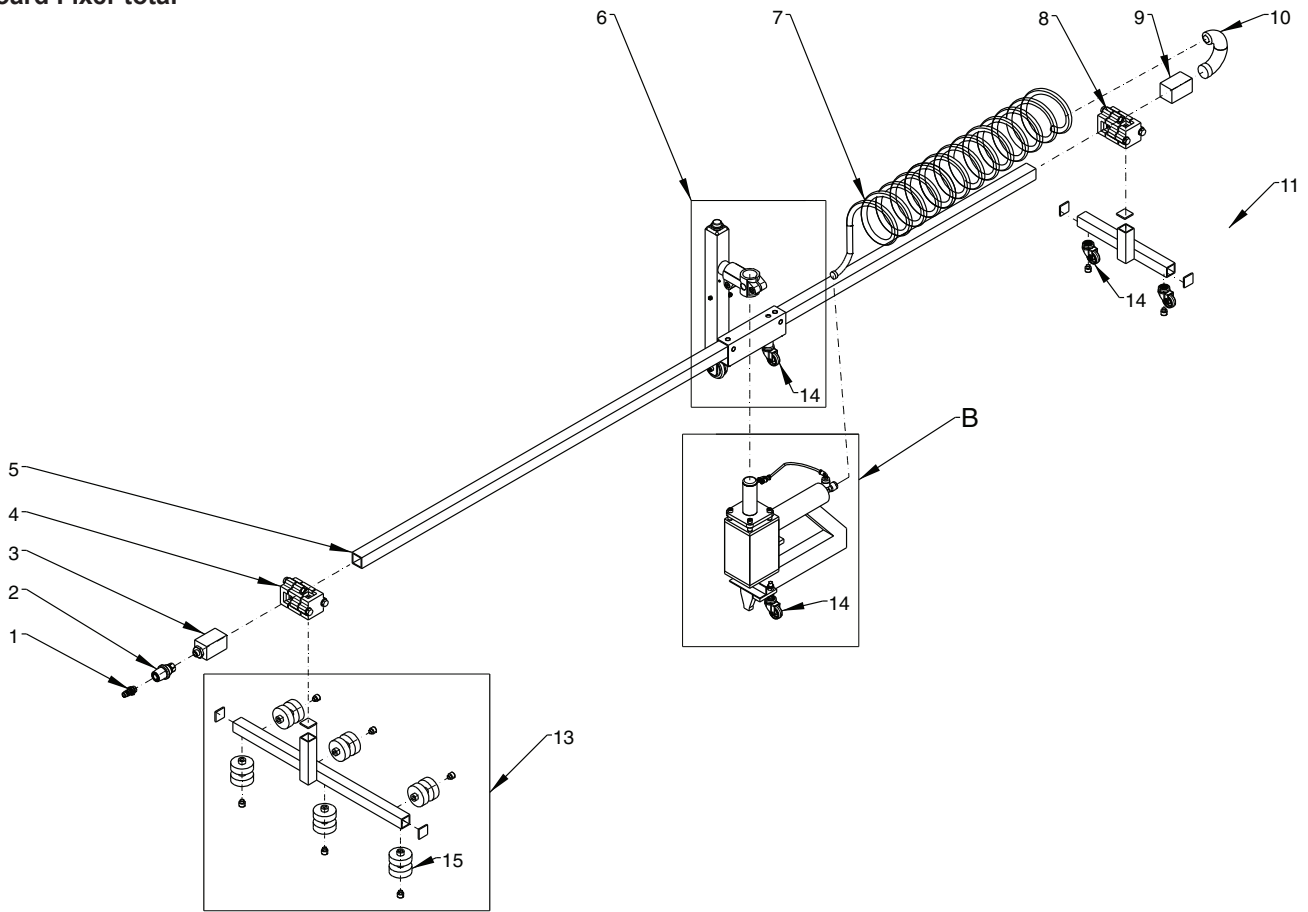
SENCO[®]

Position	Description	Order number
1	Cejn male connector	VSP-00039
2	Valve	VSP-00040
3	Kit connector alumium tube	VSP-00041
4	Cross clamp	VSP-00042
5	Aluminum tube	VSP-00043
6	Attachment unit	VSP-00044
7	Kit coil tube	VSP-00045
8	Cross clamp	VSP-00046
9	Connector alumium tube	VSP-00047
10	Kit elbow	VSP-00048
11	Kit car end	VSP-00049
13	Kit car front	VSP-00050
14	Caster	VSP-00051
15	Wheel	VSP-00052
16	Kit pneumatic signal	VSP-00053
17	Kit function block	VSP-00054
18	Frame	VSP-00055
19	Kit linear bearing	VSP-00056
20	Pushin fitting	VSP-00057
21	Kit Brake	VSP-00058
22	O-ring	VSP-00059
23	Kit puls-unit	VSP-00060
24	Kit Tacker castor	VSP-00061
25	Angle clamp	VSP-00062
26	Pushin fitting	VSP-00063
27	Pushin fitting	VSP-00064
28	Pushin fitting	VSP-00065
29	Tube	VSP-00066
30	Manifold	VSP-00067

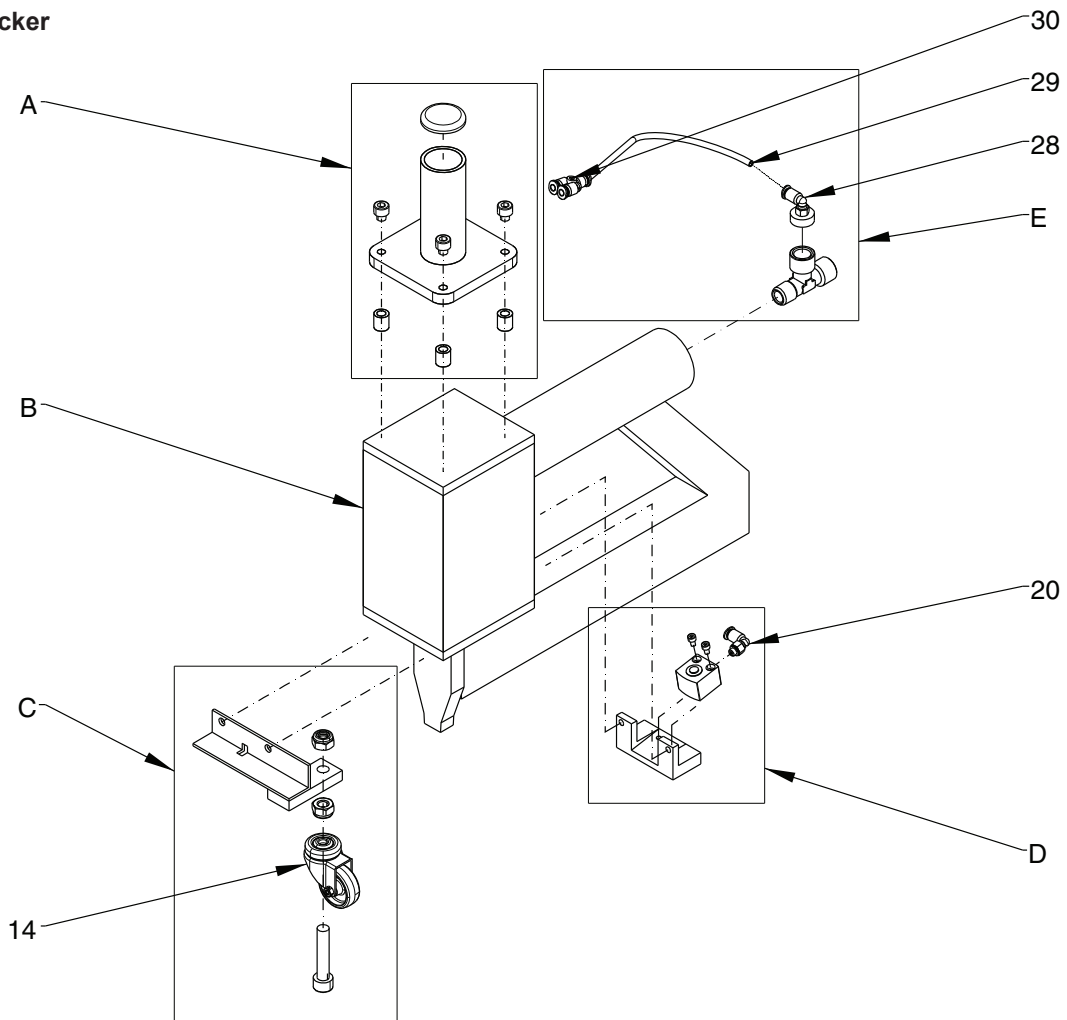
Tool #	A (Tool Holder)	B (Tool)	C (Wheel assembly)	D (Pneumatic connector kit)
9VS9901N	VSP-00068	SKSXP: 302020N/ 302052N / 302084N	VSP-00072	VSP-00076
9VS9902N	VSP-00069	SQS55XP: 662001N	VSP-00073	VSP-00077
9VS9903N	VSP-00070	CoilPro50: 4U2001N	VSP-00074	VSP-00077
9VS9904N	VSP-00071	SCN49XP: 5J2001N	VSP-00075	VSP-00077

Board Fixer

Board Fixer total



Board Fixer tacker



Board Fixer tackerhouder

