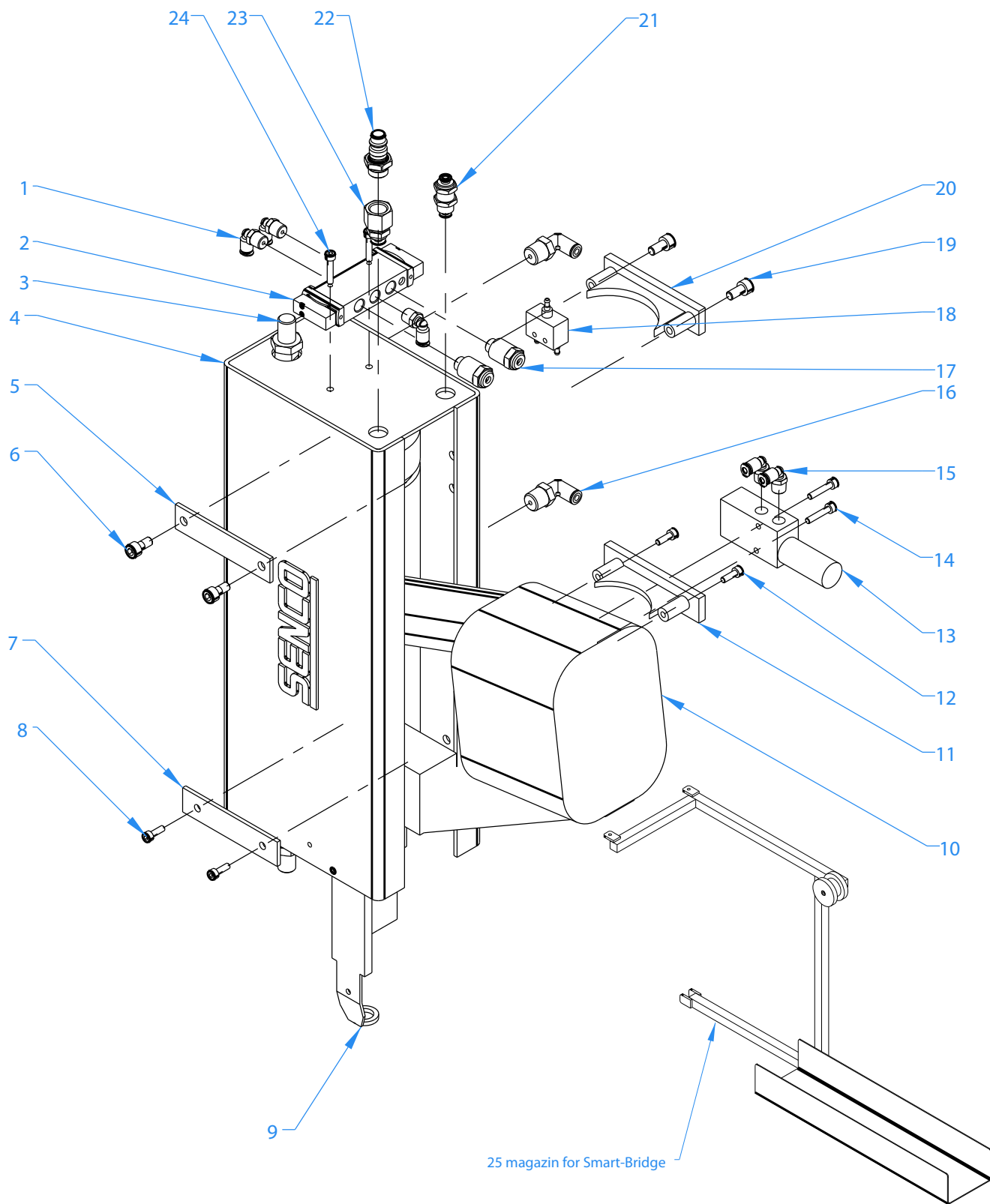


PARTS OF SMART SERIES DURASPIN

10 Parts of Smart Series Duraspin



Position	Description	Order number
1	Angled connection 3 items	VSP-00385
2	Control valve cylinder	VSP-00386
3	Cylinder	VSP-00387
4	Duraspin Cap	VSP-00388
5	Upper clamping plate	VSP-00389
6	Bolts 2 items	VSP-00390
7	Lower clamping plate	VSP-00391
8	Bolts 2 items	VSP-00392
9	Depth adapter with pin block	VSP-00396
10	Duraspin	7Y2001N
11	Lower bracket	VSP-00397
12	Bolts 2 items	VSP-00398
13	Control valve	VSP-00399
14	Bolts 2 items	VSP-00400
15	Angled connection 2 items	VSP-00385
16	Angled connection 2 items	VSP-00401
17	Adjustable damper	VSP-00402
18	Control valve	VSP-00403
19	Bolts 2 items	VSP-00404
20	Upper bracket	VSP-00405
21	Control air connection	VSP-00406
22	Cejn connector	VSP-00407
23	Main air connection	VSP-00408
24	Bolts 2 items	VSP-00400
25	Magazine for Smart Bridge	VSP-00409