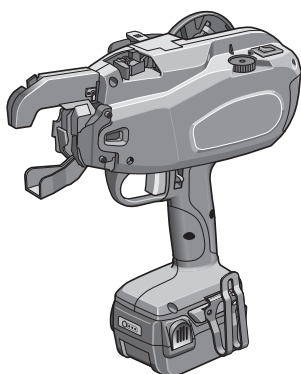


MAX

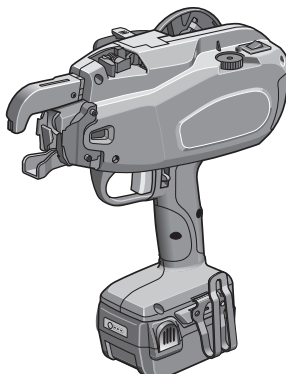
RE-BAR-TIER

RB518_(CE) RB398_(CE) RB218_(CE)

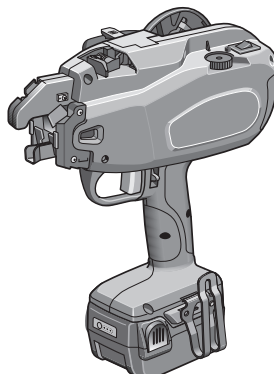
RE-BAR TYING TOOL



RB518



RB398



RB218

OPERATING AND MAINTENANCE MANUAL

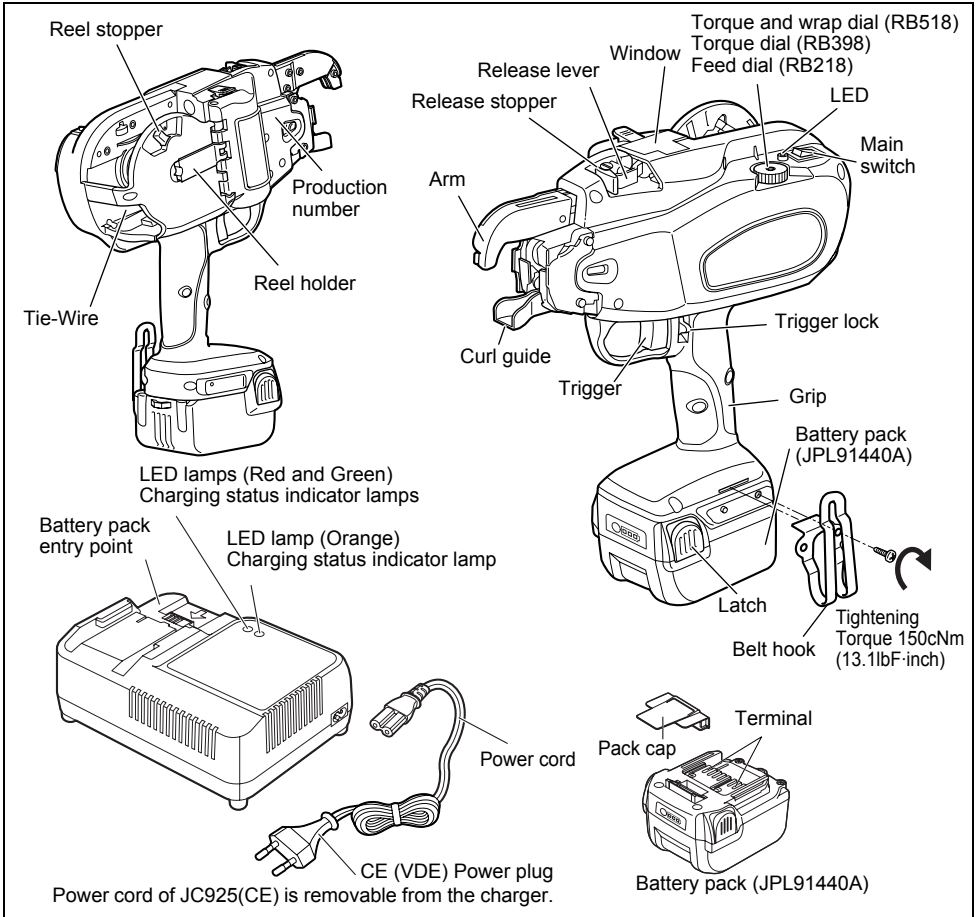


WARNING

BEFORE USING THIS TOOL, STUDY THIS MANUAL TO ENSURE SAFETY WARNING AND INSTRUCTIONS. KEEP THESE INSTRUCTIONS WITH THE TOOL FOR FUTURE REFERENCE.

3. SPECIFICATIONS AND TECHNICAL DATA

1. NAME OF PARTS



2. TOOL SPECIFICATIONS

PRODUCT NO.	RB518	RB398	RB218
WEIGHT	2.4kg (5.3lbs) (Battery included)	2.4kg (5.3lbs) (Battery included)	2.4kg (5.3lbs) (Battery included)
HEIGHT	305mm (12")	305mm (12")	305mm (12")
WIDTH	105mm (4-1/8")	105mm (4-1/8")	105mm (4-1/8")
LENGTH	305mm (12")	290mm (11-3/8")	270mm (10-5/8")
WRAPS PER TIE	3 or 4 Wraps/tie	3 Wraps/tie	
BATTERY	Li-ion14.4V/(JPL91440A)		
ACCESSORIES	Battery pack JPL91440A (2pc.) Battery Charger JC925 Carrying case, Belt hook		
Operating temperature	-10°C to 40°C (14°F to 104°F)		
Humidity	80% RH or less		

<Battery charger>

Product name	LITHIUM ION BATTERY CHARGER
Product code	JC925(CE)
Input	AC220-240V 50/60Hz 1.4A 160W
Output	DC14.4V 7.5A DC18V 5.4A DC25.2V 4.5A
Weight	1.5 kg (3.3 lbs)
Operating temperature range	5°C to 40°C (41°F to 104°F)
Operating humidity range	80% RH or less

<Battery pack>

Product name	LITHIUM ION BATTERY PACK
Product code	JPL91440A(CE)
Battery type	Lithium ion battery
Nominal voltage	DC14.4 V (3.6V x 4 cells)
Nominal capacity	3.9 Ah (3,900 mAh)
Charging time (When charger JC925 is used)	Quick charging - Approximately 40 minutes (Approximately 90% of capacity) Full charging - Approximately 60 minutes (100% of capacity)
Accessories	Pack cap (For preventing short circuit)
Weight	0.5 kg (1.1 lbs)
Charging temperature	5 °C to 40 °C (41 °F to 104 °F)
Operating temperature	0 °C to 40 °C (32 °F to 104 °F)
Operating humidity range	80% RH or less

3. WIRE SPECIFICATIONS

MODEL	RB518		RB398		
TIE WIRE	TW898	TW898-PC	TW898	TW898-EG	TW898-PC
DIAMETER	0.8mm	0.8mm	0.8mm	0.8mm	0.8mm
TIES PER COIL	(3 Wraps/tie) Approx. 90 ties (4 Wraps/tie) Approx. 75 ties	(3 Wraps/tie) Approx. 80 ties (4 Wraps/tie) Approx. 65 ties	Approx. 120 ties	Approx. 110 ties	Approx. 105 ties
TIES PER CHARGE	(3 Wraps/tie)Approx. 2,400 ties (4 Wraps/tie)Approx. 2,200 ties		Approx. 2,600 ties		

MODEL	RB218	
TIE WIRE	TW898	TW898-EG
DIAMETER	0.8mm	0.8mm
TIES PER COIL	Approx. 170-210 ties	Approx. 155-190 ties
TIES PER CHARGE	Approx. 3,000 ties	

BATTERY CHARGER:

Use only an authorized Battery charger, MAX JC925.

4. TECHNICAL DATA

① NOISE

Measured value according to EN 60745:
 A-weighted sound pressure level (LpA): 71dB
 Uncertainty (KpA):3dB
 A-weighted sound power level (LWA): 82 dB
 Uncertainty (KWA):3dB

② VIBRATION

Measured value according to EN 60745:
 Vibration total values (ah): 1.9 m/s²
 Uncertainty (K):1.5 m/s²

The following information:

- that the declared vibration total value has been measured in accordance with a standard test method and may be used for comparing one tool with another;
- that the declared vibration total value may also be used in a preliminary assessment of exposure.



WARNING

- that the vibration emission during actual use of the power tool can differ from the declared total value depending on the ways in which the tool is used; and
- of the need to identify safety measures to protect the operator that are based on an estimation of exposure in the actual conditions of use (taking account of all parts of the operating cycle such as the times when the tool is switched off and when it is running idle in addition to the trigger time.)

③ RADIATED EMISSION 30-1000 MHZ

Class B

④ Overvoltage category

category 1 according to IEC 60664-1

⑤ Pollution degree

degree 4 according to IEC 60664-1

⑥ Design guidelines

Machinery directive Annex 1, EN 60745-1, EN 60745-2-18

5. APPLICATIONS

- * Precast plants
- * Foundations
- * Commercial buildings
- * Road & bridge

6. APPLICABLE BAR SIZES



	Minimum	Maximum
RB518	16mm × 16mm (#5 × #5)	22mm × 25mm (#7 × #8)
RB398	10mm × 10mm (#3 × #3)	16mm × 19mm (#5 × #6)
RB218	Mesh × Mesh	10mm × 10mm (#3 × #3)



	Minimum	Maximum
RB518	13mm × 13mm × 10mm (#4 × #4 × #3)	16mm × 16mm × 25mm (#5 × #5 × #8)
RB398	10mm × 10mm × 10mm (#3 × #3 × #3)	13mm × 13mm × 13mm (#4 × #4 × #4)



	Minimum	Maximum
RB518	10mm × 10mm × 10mm × 10mm (#3 × #3 × #3 × #3)	13mm × 13mm × 16mm × 16mm (#4 × #4 × #5 × #5)
RB398	10mm × 10mm × 10mm × 10mm (#3 × #3 × #3 × #3)	13mm × 13mm × 13mm × 13mm (#4 × #4 × #4 × #4)

7. ABOUT PRODUCTION YEAR

This product bears production number in the body. The two digits of the number from left indicates the production year.

(Example)

15526035D

↑
Year 2015